

0-5V Toggle Throttle

Model: 130X



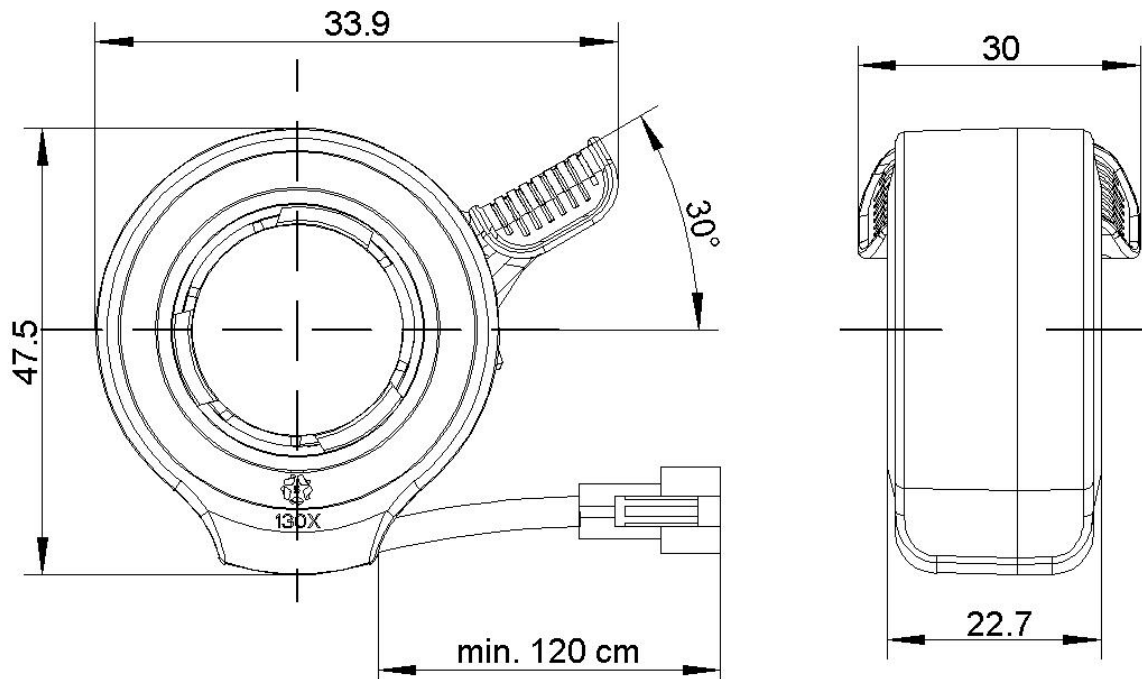
Features:

- Working voltage: 32-52V DC
- Speed signal output: 0-5V
- Could be installed on a round tube of Ø22 mm
- Tighten with hexagon bolt (M3 - 3 mm metric hex tool / Allen Key)
- Ambient temperature: -18°C ~ 60°C
- Ambient humidity: RH 20% ~ 80%
- Ingress protection: IP5
- Torque: ≥ 7 N.M
- Pull off force: ≥ 130 N
- Throttle wire length: minimum 120 cm
- Net weight: 0.12 kg (with mating connector)

NOCO SHOP

Website: <http://www.nocoev.com/> - Email: info@nocoev.com

Dimensions (unit: mm):



Installation (diameter: $\leq \text{Ø}22.2$ mm):

